



STANDHEIZUNG  
ENGINE-INDEPENDENT HEATING SYSTEM

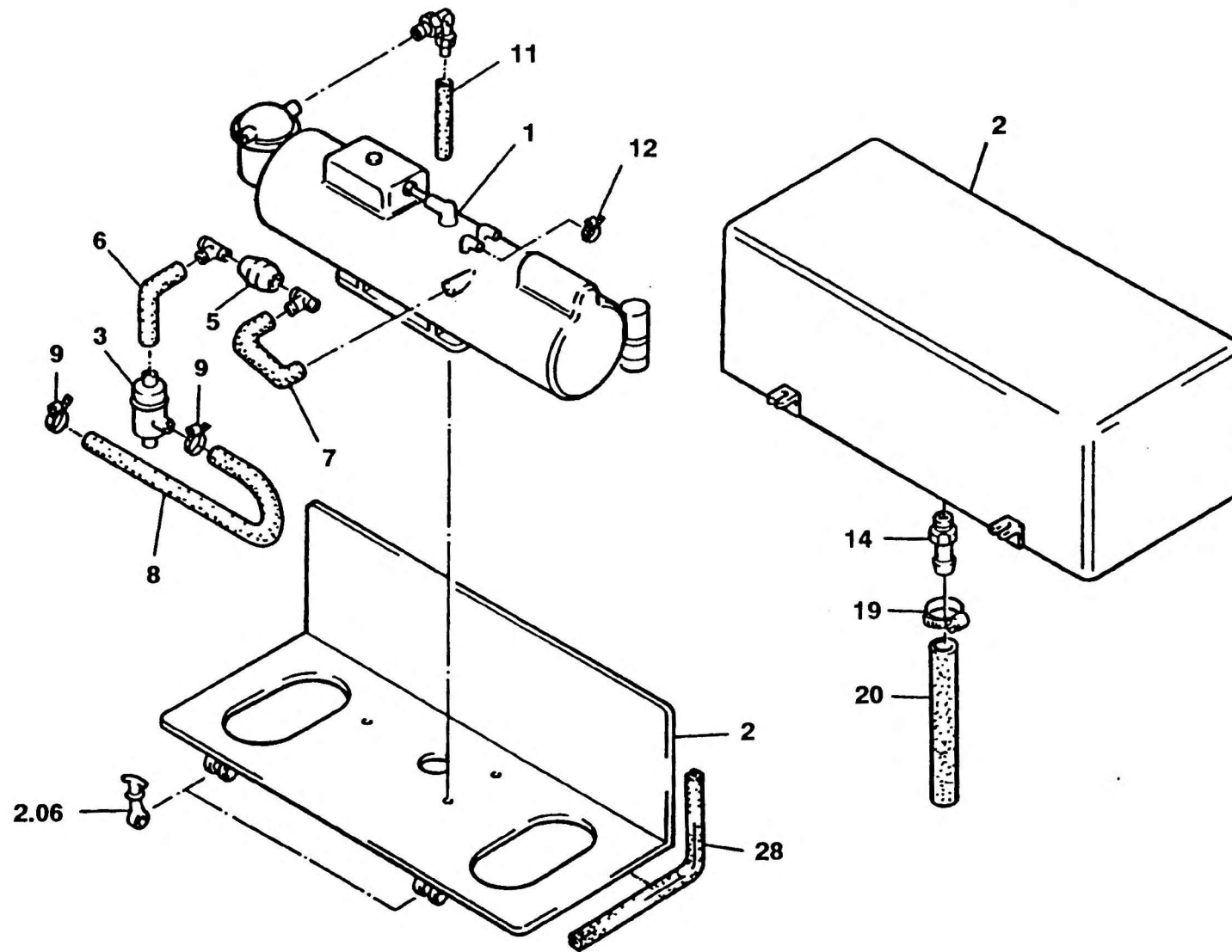
BILDTAFEL  
PICTORIAL DISPLAY

KMK 6160  
BE 752  
G 291

04.91

2086391-ETL A

1/1



A05\_275